

WARRANTY

Your headset has been carefully manufactured and 100% tested using high quality assured components. It is protected by warranty against faulty workmanship and materials for a period of 12 months from the date of purchase. In the unlikely event that a failure should occur, the unit will be repaired or replaced free of charge when returned postage paid to the address below, within the 12 month warranty.

This warranty does not cover damage or failure resulting from misuse. Failure to comply with the warnings, care and safety advice listed in this user guide will void the warranty. This warranty does not cover goods damaged in transit. Removing the warranty tab thread on the headset cable will also void warranty.

Your statutory rights are in no way affected by this warranty.

Repair or replacement is at the discretion of the manufacturer.

In accordance with its policy of progressive design, the retailer reserves the right to alter product specifications at any time, without prior notice.

When returning this unit please ensure that the package contains a covering letter stating when and where you purchased the unit and a description of the problem encountered. If the unit is within the guarantee period please enclose proof of purchase.

LIMITED WARRANTY

Consequential and incidental damages, including without limitation, loss of property and those arising from breach of any express to implied warranty, are not the responsibility of JPL and to the extent permitted by law, are excluded.

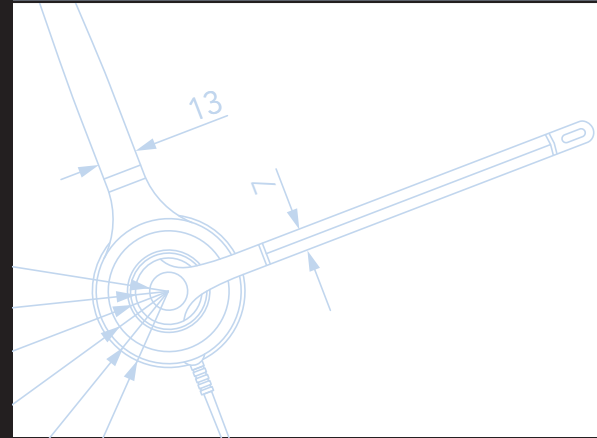
JPL Ltd, Church Close Business Park, Todber,
Sturminster Newton, Dorset, DT10 1JH, ENGLAND
Tel: +44(0)1258 820100
E-mail: sales@jpl.uk.com

 www.jpltele.com

Registered in England No. 5250754
Registered Office: Church Close Business Park, Todber, Sturminster Newton, Dorset, DT10 1JH



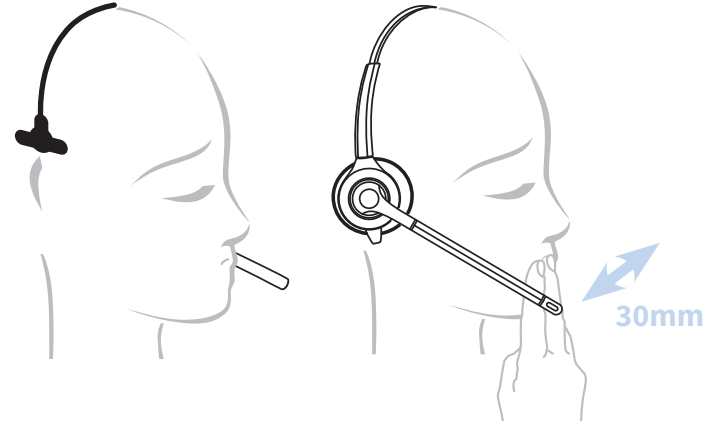
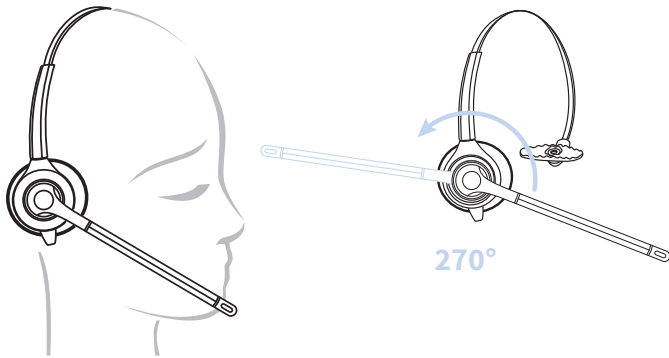
TRUSTED TELECOMS



QUICK START

Quick Start Guide

For full operating instructions please visit www.jpltele.com



Headset supplied with top lead only.
All headsets require an additional bottom lead.
Please check the compatibility chart on
www.jpltele.com for the correct
bottom lead for your phone.

